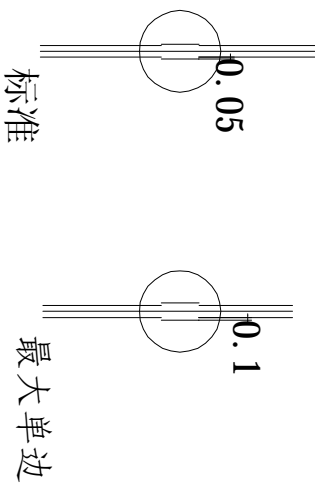
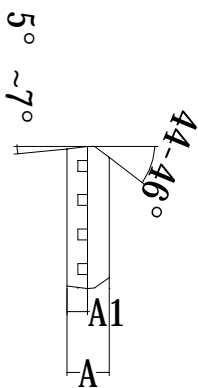
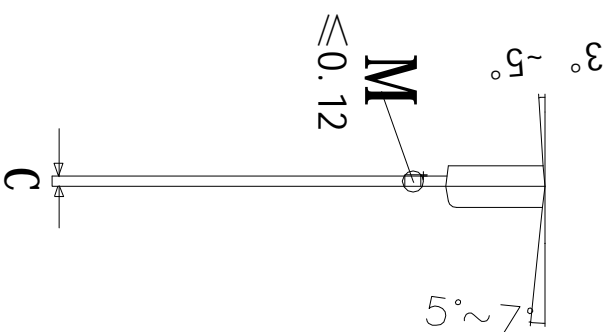
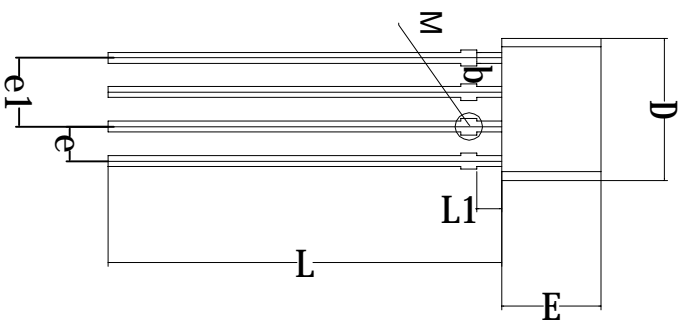


# T0-94 PACKAGE OUTLINE DIMENSIONS



**M(2:1)**



| COMMON DIMENSIONS        |       |         |       |
|--------------------------|-------|---------|-------|
| UNITS MEASURE=MILLIMETER |       |         |       |
| SYMBOL                   | MIN   | NOM     | MAX   |
| A                        | 1.50  | 1.60    | 1.70  |
| A1                       | 0.75  | 0.80    | 0.85  |
| b                        | 0.40  | 0.45    | 0.50  |
| C                        | 0.370 | 0.380   | 0.390 |
| D                        | 5.00  | 5.10    | 5.20  |
| e                        | -     | 1.27TYP | -     |
| e1                       | 2.44  | 2.54    | 2.64  |
| E                        | 3.50  | 3.60    | 3.70  |
| L                        | 14.0  | 14.5    | 15.0  |
| L1                       | 1.00  | 1.05    | 1.10  |
|                          |       |         |       |
|                          |       |         |       |

|               |  |    |      |
|---------------|--|----|------|
| 设计            |  | 编号 | 02-1 |
| 批准            |  | 日期 |      |
| 浙江亚芯微电子股份有限公司 |  |    |      |